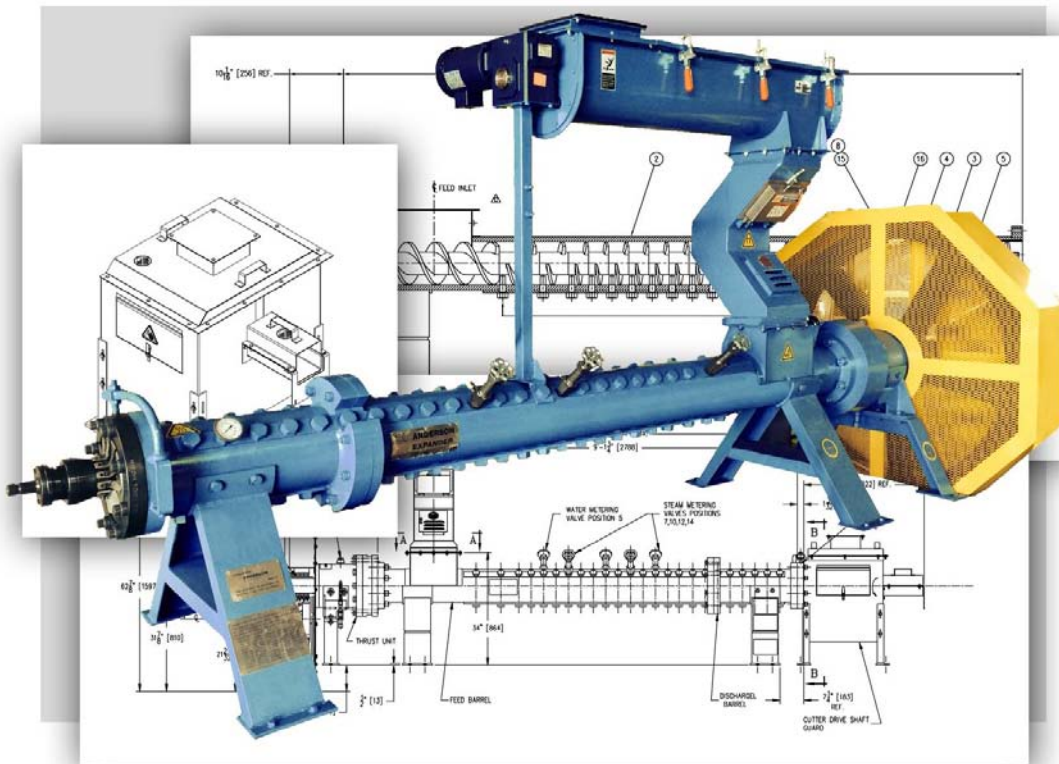


ANDERSON DURABILITY

Anderson International Corp 8" Expander-Extruder-Cooker™



This new design includes an integral discharge plate with a cutter head for greater efficiency and durability, allowing for the incorporation of die inserts and variable settings. It also includes a new, stainless steel cover in the cutting and discharge area.

Innovative Features:

- High process capacity (up to 5 TPH with a conditioner)
- Segmented and interrupted main shaft
- Low cost of maintenance and replacement parts

Common Applications:

- Pet food - dog food and cat food
- Aquafeed - floating and sinking
- Full fat soy
- Animal feed - poultry, cattle, and swine
- Gelatinization of starches



Nixon cutter™ offers smaller particle sizes, reduced tailing, and reduced fine generation



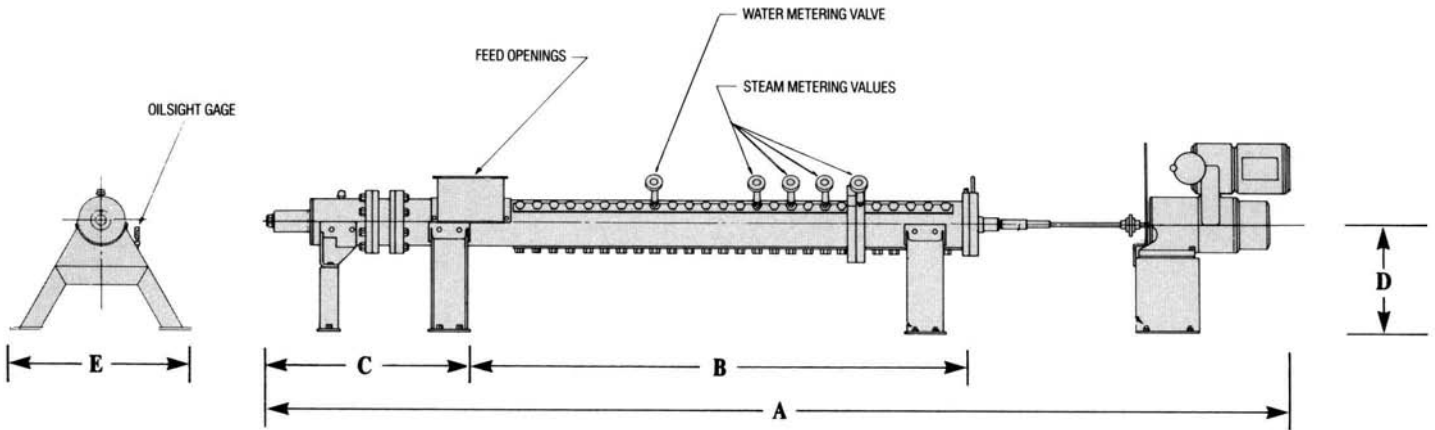
ANDERSON
INTERNATIONAL CORP

4545 Boyce Parkway, Stow, Ohio 44224 U.S.A.
Phone: (216) 641-1112 · Fax: (330) 688-0117
Website: <http://www.andersonintl.net>

* EXPELLER® IS THE REGISTERED TRADEMARK
OF ANDERSON SINCE 1900
PATENTED IN U.S.A. AND ABROAD



An ISO 9001:2008 with Design
Certified Company



Specifications

Model No.	Description	Capacity Range		Horse Power Range	DIMENSIONS				
		lbs/hr	KG/Hr		A	B	C	D	E
AN-304	4½" EEC	200-500	90-227	UP to 25hp	11'-4 3/8"	4' 4½"	3' 0¾"	2' 4"	25½"
AN-305	6" EEC	500-2000	227-909	25hp to 50hp	14' 0½"	7' 0 7/8"	3' 2 7/8"	3' 8"	32"
AN-306	8" EEC	2000-13000	909-5910	75hp to 200hp	18' 9 7/8"	9' 1¾"	3' 7½"	23 5/8"	40"
*AN-307	12" EEC	8000-24000	3632-10910	200hp to 400hp	*31' 7"	*11' 9"	*4' 9"	*30"	*42"

*NOTE: Capacity subject to final product size

From Raw Feed to Expanded Product Anderson Provides a Whole System

An important part of Anderson service is to supply all types of carefully engineered supplementary equipment necessary for a complete grain expansion process.

The Expander product is dried and, if required, cooled in a self-contained Dryer-Cooler. The units made by several manufac-

turers are designed for either indoor or outdoor installation, and use any common fuel. Other supplementary equipment includes feeders, fat applicators, crushers, grinders, conveyors, boilers, bagging machines, storage bins, etc.; all carefully selected to economically compliment the

Anderson-Extruder-Cooker™ taking into consideration the particular conditions encountered in your operation.

Whether Anderson supplies an entire plant or selected equipment, you can be confident of obtaining a quality engineered system for long life, trouble-free operation.

Other Equipment Manufactured by Anderson For:

The Vegetable Oil Industry

Super Duo™ Expeller® Press
Delta Presses
Cookers and Dryers
72 Tube Rotary Dryers
Cake Coolers
Screening Tanks
Mega Series Expeller® Presses
Solvex™ Series Expanders
Hivex™ Series Expanders

The Rendering Industry

CG & TMI Evaporators
Duo Crax™ Expeller® Presses
Drainage Hoppers
Mega Series Crax™ Presses

Synthetic Rubber and Plastic Polymer Industries

Dewatering Presses
Expander/Dryer®

Feed and Food Industries

Expander-Extruder-Cooker™



ANDERSON
INTERNATIONAL CORP

4545 Boyce Parkway, Stow, Ohio 44224 U.S.A. • Phone: (216) 641-1112 Fax: (330) 688-0117
Web: www.andersonintl.net