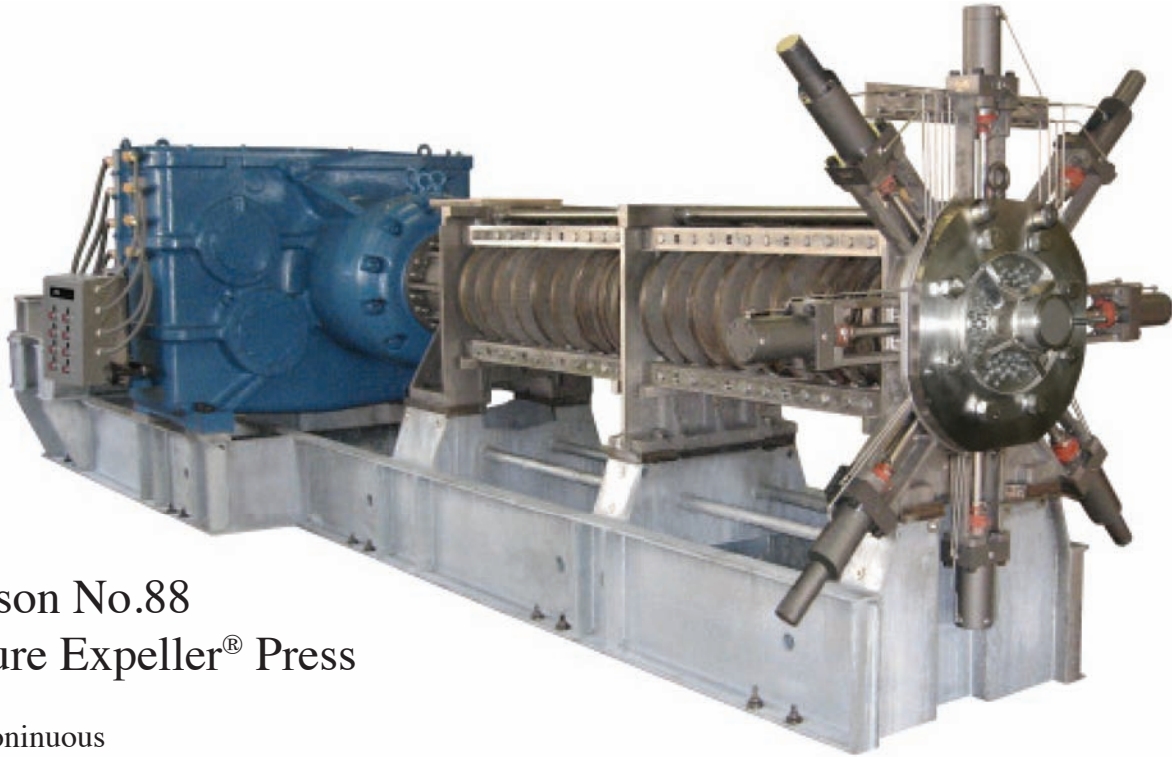




ANDERSON
INTERNATIONAL CORP



Anderson No.88 Moisture Expeller® Press

For the continuous
mechanical separation of
liquids from solids.

Designed specifically for the Chemical Process Industry

Advantages

The most economical method of removing water, acidic or basic, from a developed elastomer is by mechanical means. The Anderson No. 88 Expeller® Press is a high capacity mechanical screw press designed for the continuous separation of liquids from their solid carrier. Through continuous control of shear, a desired end point moisture consistency is attained.

- The most economical method of liquids/solids separation due to the efficient conversion of electrical energy to mechanical shear.
- The hydraulic choke is adjustable while the screw press is in operation, allowing in-process adjustments to compensate for changes in throughput rate and variations in initial and residual moisture content.
- Several content options to provide automatic operation and integration.
- Process support based on over 75 years of dewatering experience with world-class processors.

Dewatering Applications

- Both Emulsion and Solution Synthetic Crumb Rubber (oil extended & dry)
- Thermal Plastic Resin-Rubber Masterbatch and Styrene Block-Copolymers
- High Styrene Reinforced Polymers
- Natural and Reclaim Rubber

Anderson International Corp, 4545 Boyce Parkway, Stow, Ohio 44224
Phone: (216) 641-1112, FAX: (330) 688-0117 Website: <http://www.andersonintl.net>

The Anderson No.88 Moisture Expeller® Press

Product..... Rubber and Plastic Polymer, Crumb.

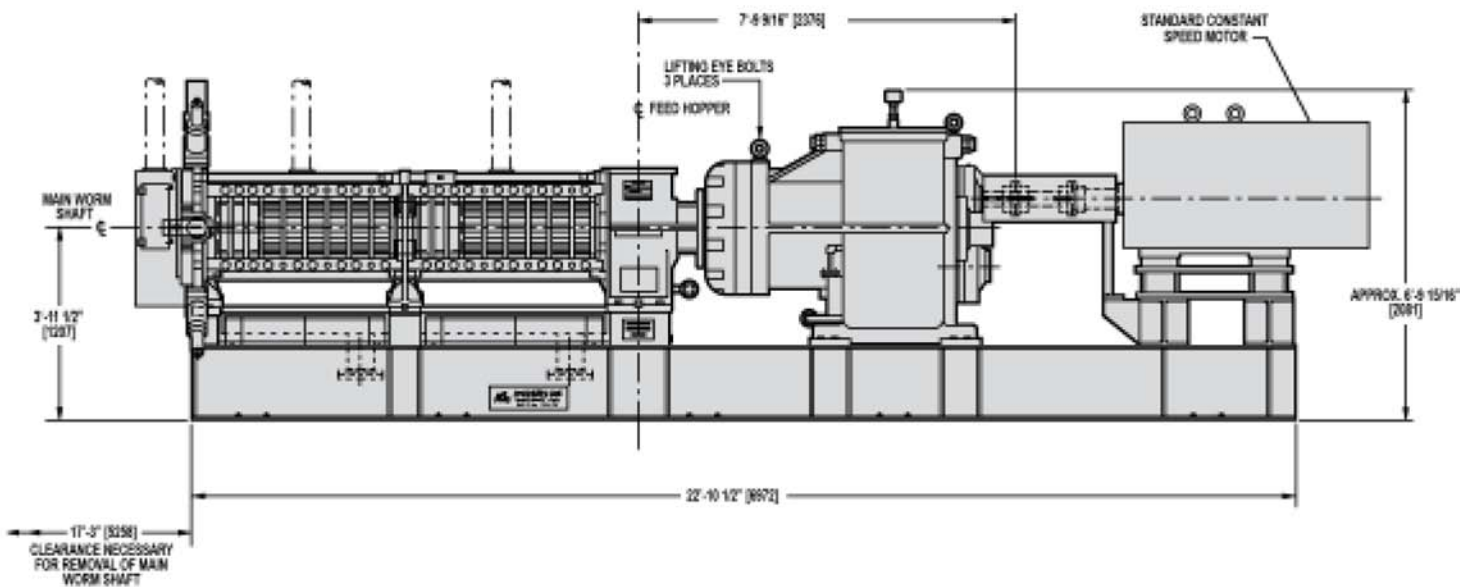
Moisture

Specifications..... 40 to 60% in, 8 to 12% out (by weight).

Operation..... The material to be de-liquified is conveyed by an interrupted flight worm shaft from the feed hopper, through drainage barrel to the discharge end of the screw press. The circumference of the drainage barrel is lined with bars separated by spacers. These spaced bars allow efficient drainage of liquid from the barrel. Hydraulically actuated choke jaws regulate the area across the discharge opening, uniformly controlling the shear applied within the barrel. The amount of liquid pressed from the material is determined by the shear applied. A cutter, driven by the worm shaft, sizes the deliquified material at the discharge.

Specifications..... The No.88 Dewatering Expeller® press is equipped with a double reduction gear case with herringbone/helical gear sets. A heavy duty thrust bearing allows applications of up to 800 H.P. A standard foot-mounted motor is most commonly used, direct coupled to the gear case. In some cases variable speed drives are used to provide an additional control option. Contact parts are constructed of corrosion resistant, contamination free stainless steels and special alloys. The gear case is equipped with an independently driven 3 H.P. lubrication oil pump. Forced lubrication of all bearings is insured with flow switches installed in all oil lines. The system is also equipped with full flow oil filter and oil cooler.

Static weight (est.)..... 35,500 pounds (16.136 kg)



Anderson International Corp, 4545 Boyce Parkway, Stow, Ohio 44224
Phone: (216) 641-1112 , FAX: (330) 688-0117 Website: <http://www.andersonintl.net>

